

BTV Bolzenanker SAX



Beschreibung:

Ankerbolzen für die Durchsteckmontage

Ausführung in:

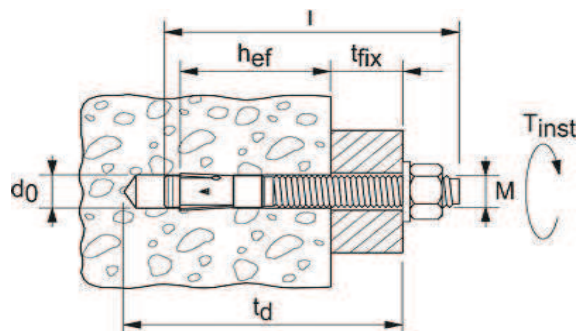
- Stahl, galvanisch verzinkt
- nichtrostender Stahl A4

Zugelassen für:

- gerissenen und ungerissenen Beton
B25 bis B55 bzw. C20/25 bis C50/60

auch geeignet für:

- Beton B15
- Naturstein mit dichtem Gefüge



Technische Daten:

| Typ | Art.-Nr. fischer | Bohrer- durch- messer | min. Bohr- lochtiefe bei Durch- steck- montage | min. Ver- ankerungs- tiefe | Dübellänge | max. Nutzlänge | Gewinde | Schlüssel- weite | U-Scheibe (Außen-Ø x Dicke) | Ver- packung Standard | | | | | | | | |
|--------------|---------------------|-----------------------------|--|----------------------------------|------------|-------------------|------------|---------------------|-----------------------------------|-----------------------------|-------|-------|----------|------|-----------|-----------|------|---------|
| | | | | | | | | | | | d_0 | t_d | h_{ef} | l | t_{fix} | SW | [mm] | [Stück] |
| | | | | | | | | | | | [mm] | [mm] | [mm] | [mm] | [mm] | [ØxLänge] | | |
| SAX 8/10 | 512286 | 8 | 75 | 45 | 75 | 10 | M 8 x 21 | 13 | 16x1,6 | 100 | | | | | | | | |
| SAX 8/30 | 512287 | 8 | 95 | 45 | 95 | 30 | M 8 x 41 | 13 | 16x1,6 | 100 | | | | | | | | |
| SAX 8/50 | 512288 | 8 | 115 | 45 | 115 | 50 | M 8 X 61 | 13 | 16x1,6 | 100 | | | | | | | | |
| SAX 10/10 | 512289 | 10 | 90 | 60 | 95 | 10 | M 10 x 24 | 17 | 20x2 | 50 | | | | | | | | |
| SAX 10/20 | 512290 | 10 | 100 | 60 | 105 | 20 | M 10 x 34 | 17 | 20x2 | 50 | | | | | | | | |
| SAX 10/30 | 512291 | 10 | 110 | 60 | 115 | 30 | M 10 x 44 | 17 | 20x2 | 50 | | | | | | | | |
| SAX 10/50 | 513284 | 10 | 130 | 60 | 135 | 50 | M 10 x 64 | 17 | 20x2 | 20 | | | | | | | | |
| SAX 10/100 | 513285 | 10 | 180 | 60 | 185 | 100 | M 10 x 100 | 17 | 20x2 | 20 | | | | | | | | |
| SAX 12/10 | 512294 | 12 | 105 | 70 | 110 | 10 | M 12 x 27 | 19 | 24x2,5 | 20 | | | | | | | | |
| SAX 12/20 | 512295 | 12 | 115 | 70 | 120 | 20 | M 12 x 37 | 19 | 24x2,5 | 20 | | | | | | | | |
| SAX 12/30 | 512296 | 12 | 125 | 70 | 130 | 30 | M 12 x 47 | 19 | 24x2,5 | 20 | | | | | | | | |
| SAX 12/50 | 512297 | 12 | 145 | 70 | 150 | 50 | M 12 x 67 | 19 | 24x2,5 | 20 | | | | | | | | |
| SAX 12/100 | 512298 | 12 | 195 | 70 | 200 | 100 | M 12 x100 | 19 | 24x2,5 | 20 | | | | | | | | |
| SAX 16/25 | 513286 | 16 | 140 | 85 | 148 | 25 | M 16 x 47 | 24 | 30x3 | 10 | | | | | | | | |
| SAX 16/50 | 513287 | 16 | 165 | 85 | 173 | 50 | M 16 x 72 | 24 | 30x3 | 10 | | | | | | | | |
| SAX 16/100 | 513288 | 16 | 215 | 85 | 223 | 100 | M 16 x 100 | 24 | 30x3 | 10 | | | | | | | | |
| | | | | | | | | | | | | | | | | | | |
| SAX 8/10 A4 | 512303 | 8 | 75 | 45 | 75 | 10 | M 8 x 21 | 13 | 16x1,6 | 50 | | | | | | | | |
| SAX 8/30 A4 | 512304 | 8 | 95 | 45 | 95 | 30 | M 8 x 41 | 13 | 16x1,6 | 50 | | | | | | | | |
| SAX 8/50 A4 | 512305 | 8 | 115 | 45 | 115 | 50 | M 8 X 61 | 13 | 16x1,6 | 50 | | | | | | | | |
| SAX 10/10 A4 | 512306 | 10 | 90 | 60 | 95 | 10 | M 10 x 24 | 17 | 20x2 | 50 | | | | | | | | |
| SAX 10/20 A4 | 512307 | 10 | 100 | 60 | 105 | 20 | M 10 x 34 | 17 | 20x2 | 50 | | | | | | | | |
| SAX 10/30 A4 | 512308 | 10 | 110 | 60 | 115 | 30 | M 10 x 44 | 17 | 20x2 | 50 | | | | | | | | |
| SAX 10/50 A4 | 513289 | 10 | 130 | 60 | 135 | 50 | M 10 x 64 | 17 | 20x2 | 20 | | | | | | | | |
| SAX 12/10 A4 | 512310 | 12 | 105 | 70 | 110 | 10 | M 12 x 27 | 19 | 24x2,5 | 20 | | | | | | | | |
| SAX 12/20 A4 | 512311 | 12 | 115 | 70 | 120 | 20 | M 12 x 37 | 19 | 24x2,5 | 20 | | | | | | | | |
| SAX 12/30 A4 | 512312 | 12 | 125 | 70 | 130 | 30 | M 12 x 47 | 19 | 24x2,5 | 20 | | | | | | | | |
| SAX 12/50 A4 | 512313 | 12 | 145 | 70 | 150 | 50 | M 12 x 67 | 19 | 24x2,5 | 20 | | | | | | | | |
| SAX 16/25 A4 | 513290 | 16 | 140 | 85 | 148 | 25 | M 16 x 47 | 24 | 30x3 | 10 | | | | | | | | |
| SAX 16/50 A4 | 513291 | 16 | 165 | 85 | 173 | 50 | M 16 x 72 | 24 | 30x3 | 10 | | | | | | | | |